



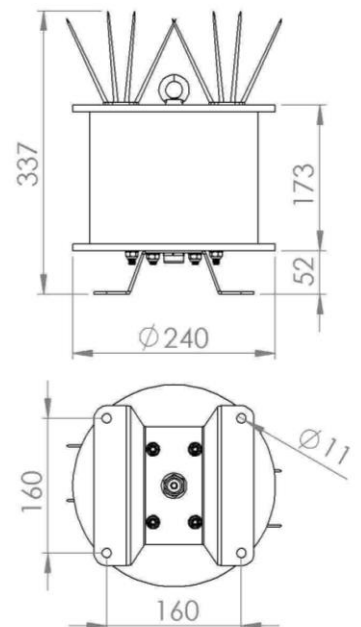
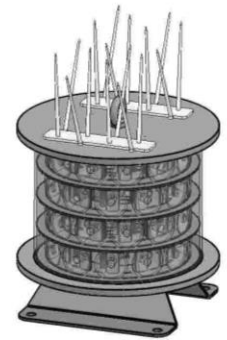
HA-OL 20kCd

DATASHEET: OBSTRUCTION LIGHT

HA-OL 20kCd is a light-weight medium-intensity obstruction light to denote obstacles from 45 meters/150 feet up to 150 meters/495 feet. The HA-OL 20kCd has a controller box (see other side of page), so it can control multiple obstruction lights. Optional features are a twilight sensor to control the intensity (which optimizes the lifetime of the system) or a GPS to synchronize operation using UTC time.

OBSTRUCTION LIGHT:

ENCLOSURE	AlMg4,5 and PC
DIMENSIONS	ø240x337mm
WEIGHT	4,5 kg
LIGHT SOURCE	LED technology
POWER CONSUMPTION	80 W
LIGHT COLOUR	white
FLASHING FREQUENCY	20, 30, 40, 60 FPM
LIGHT OUTPUT	Type A: > 20.000 cd (daytime) 2000 cd (night-time) (Type B, C, AB and AC also available)
AMBIENT TEMPERATURE	-50 °C to +60 °C
INGRESS PROTECTION	IP67
COMPLIANCES	ICAO Annex 14 Vol. I and Vol. II UK CAP 437 UK CAP 168 EASA ADR



Holland Aviation
Daniëlsweg 40
4451 HW Heinkenszand
The Netherlands

Tel. +31 (0)113 613467
Fax. +31 (0)113 613570
Email: info@hollandaviation.com
www.hollandaviation.com





CONTROLLER UNIT:

Junction box for controlling all functions of the obstruction light. For installation in the control room. Cable (max. 50m) to connect the obstruction light to the controller unit not included.

ENCLOSURE	Steel powder coated grey RAL 7035
DIMENSIONS	340x400x170mm
CABLE GLAND	5x M20 standard
LIGHT SOURCE	LED signal indicators
POWER SUPPLY	100-240 VAC
INGRESS PROTECTION	IP66



Holland Aviation
Daniëlsweg 40
4451 HW Heinkenszand
The Netherlands

Tel. +31 (0)113 613467
Fax. +31 (0)113 613570
Email: info@hollandaviation.com
www.hollandaviation.com

